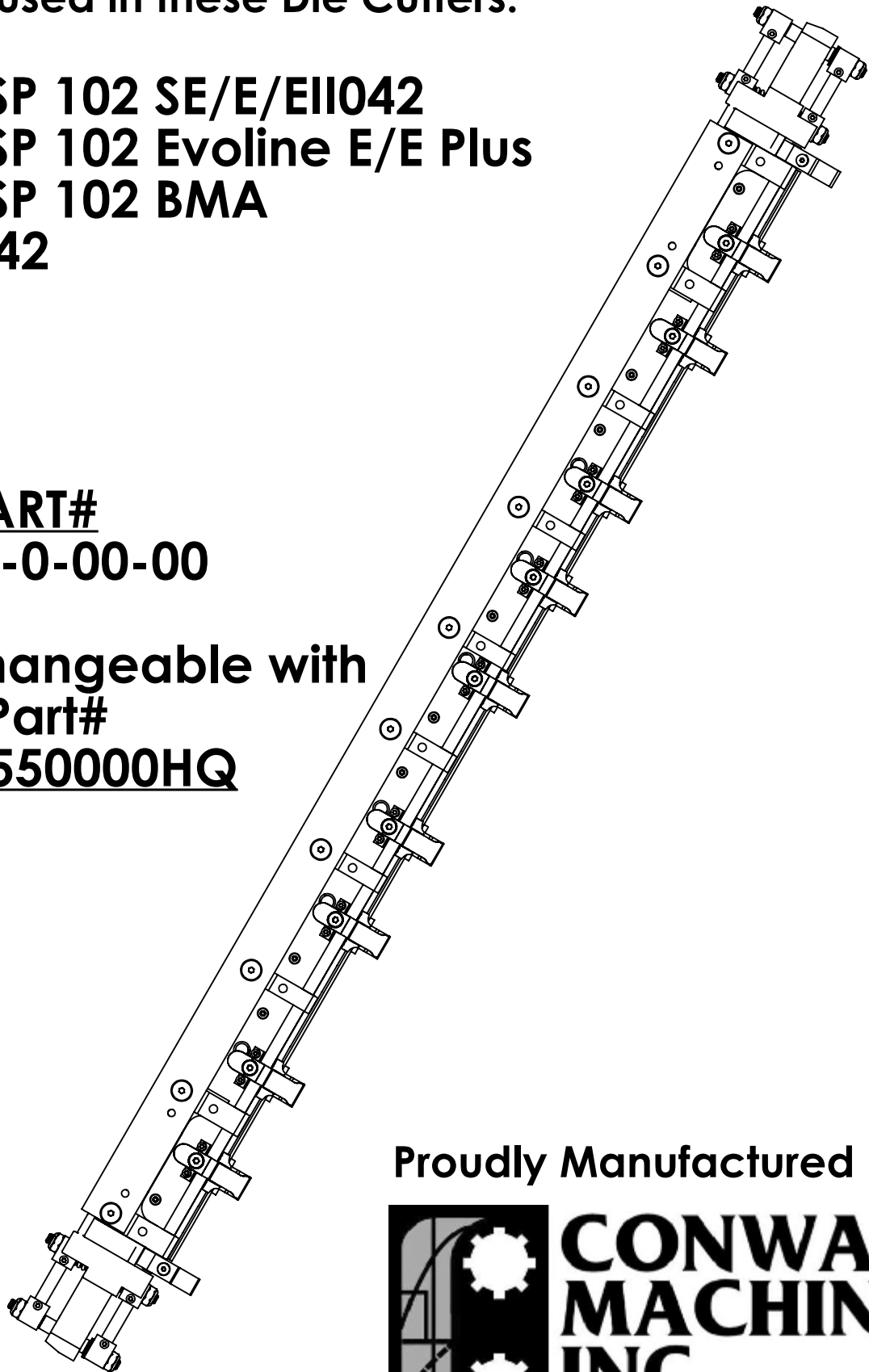


Conway 339 Gripper Bar
can be used in these Die Cutters:

Bobst SP 102 SE/E/EII042
Bobst SP 102 Evoline E/E Plus
Bobst SP 102 BMA
Series 42

CMI PART#
10-339-0-00-00

Interchangeable with
Bobst Part#
BSA06550000HQ

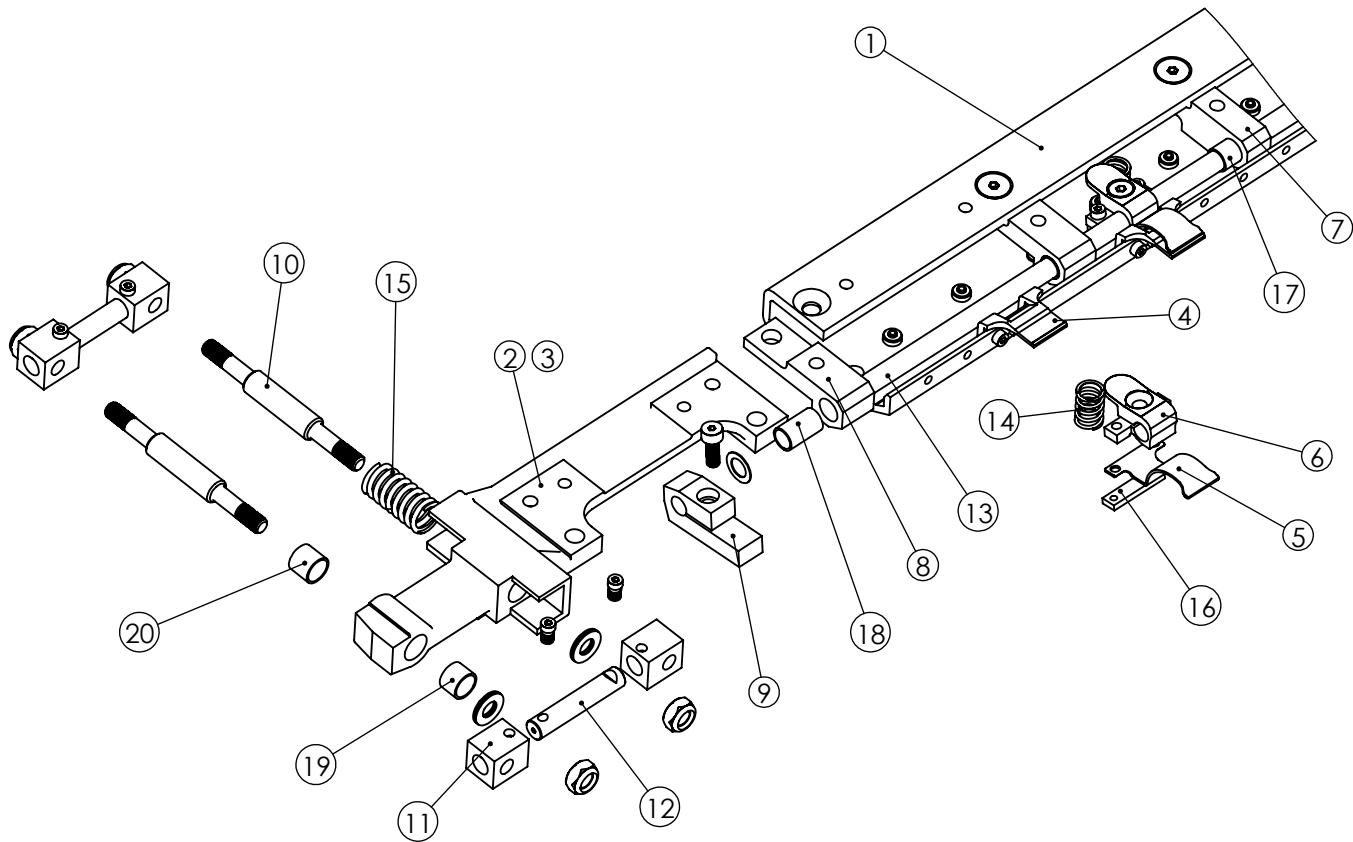


Proudly Manufactured by:



**CONWAY
MACHINE,
INC.**

ISO 9001 Series Certified



Conway 339 Gripper Bar will fit these Die Cutters:

**Bobst SP 102 SE/E/EII042
 Bobst SP 102 Evoline E/E Plus
 Bobst SP 102 BMA
 Series 42**

Bobst Part# BSA06550000HQ

ITEM NO.	QTY.	PART NUMBER	DESCRIPTION	OEM Part No
		10-339-0-00-00	Complete Assembly	BSA06550000HQ
1	1	10-317-0-01-01	Shell	BSA0655260800
2	1	10-339-0-02-00	O.S End Fitting	BSA06550000XO
3	1	10-339-0-03-00	O.S.S End Fitting	BSA06550000XP
4	9	10-339-0-16-00	Stationary Jaw	BSA0655009200
5	9	10-339-0-15-00	Movable Gripper	BSA0605192800
6	9	10-339-0-24-00	Lifter	BSA06550000XT
7	6	10-317-0-31-00	Shaft Support Bushing	BSA06550000XR
8	4	10-317-0-29-00	Shaft Support Bearing	BSA06550000XS
9	2	10-317-0-25-00	Lever	BSA06550000XU
10	4	10-317-0-06-00	Cross Pin	BSA0655101000
11	8	10-317-0-07-00	Mounting Block	BSA0655101300
12	4	10-317-0-14-00	Axle	BSA1109811002
13	1	10-317-0-27-00	Shaft	BSA0655100900
14	9	10-317-0-21-00	Spring	BSA1017101620
15	2	10-317-1-21-00	Spring	BSA1017102543
16	9	10-331-0-17-00	Tightening Plate	
17	6	05-000-1-10-15	Glacier Bushing 10x15mm	BSA1111019100
18	4	05-000-1-10-20	Glacier Bushing 10x20mm	BSA1111027700
19	2	05-000-1-12-10	Glacier Bushing 10x12mm	BSA1111030100
20	2	05-000-1-12-12	Glacier Bushing 12x12mm	

