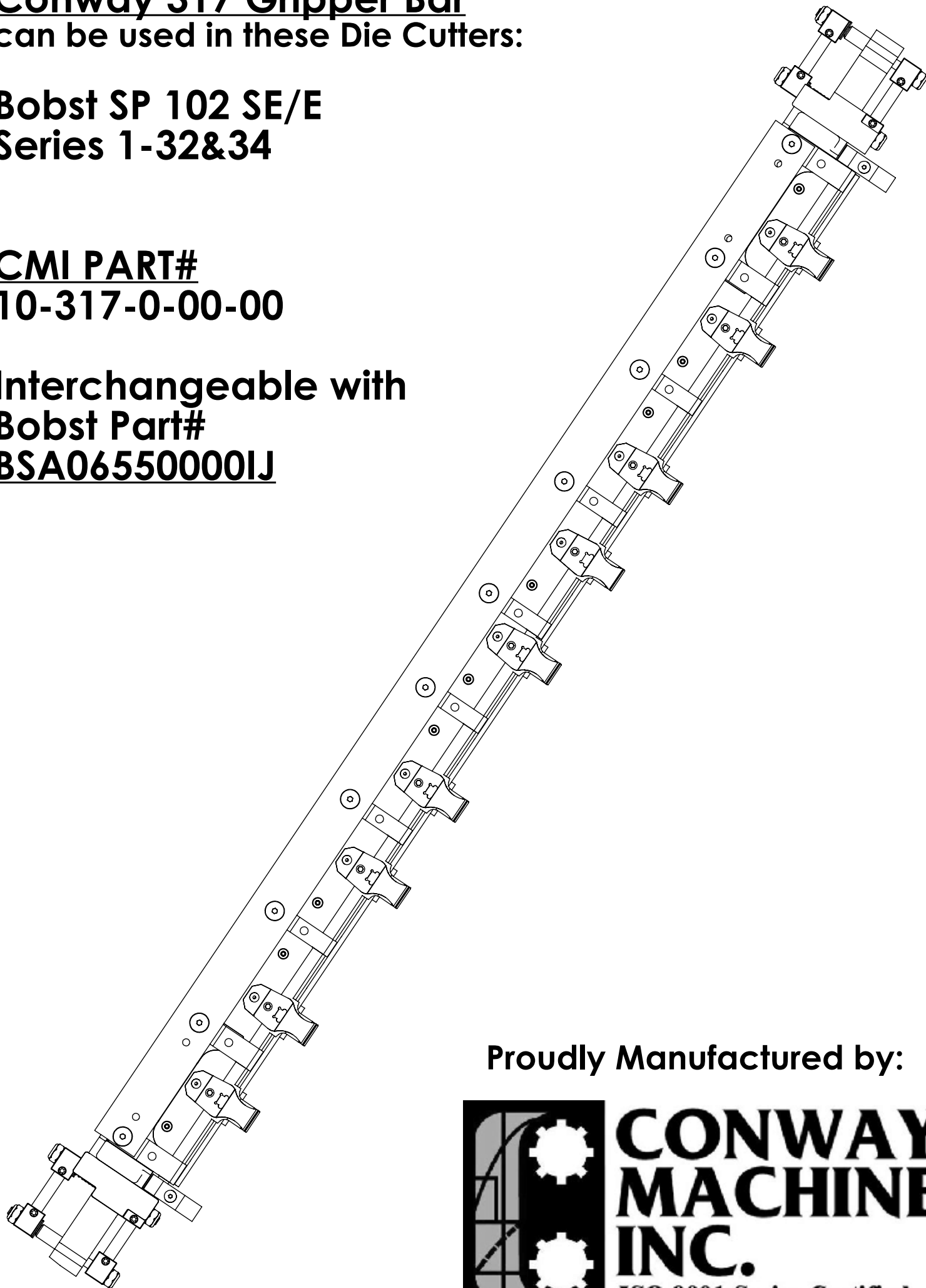


**Conway 317 Gripper Bar**  
can be used in these Die Cutters:

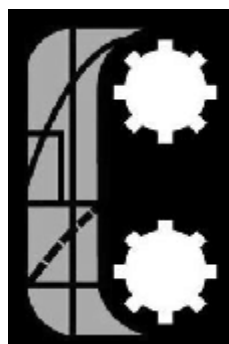
**Bobst SP 102 SE/E**  
**Series 1-32&34**

**CMI PART#**  
**10-317-0-00-00**

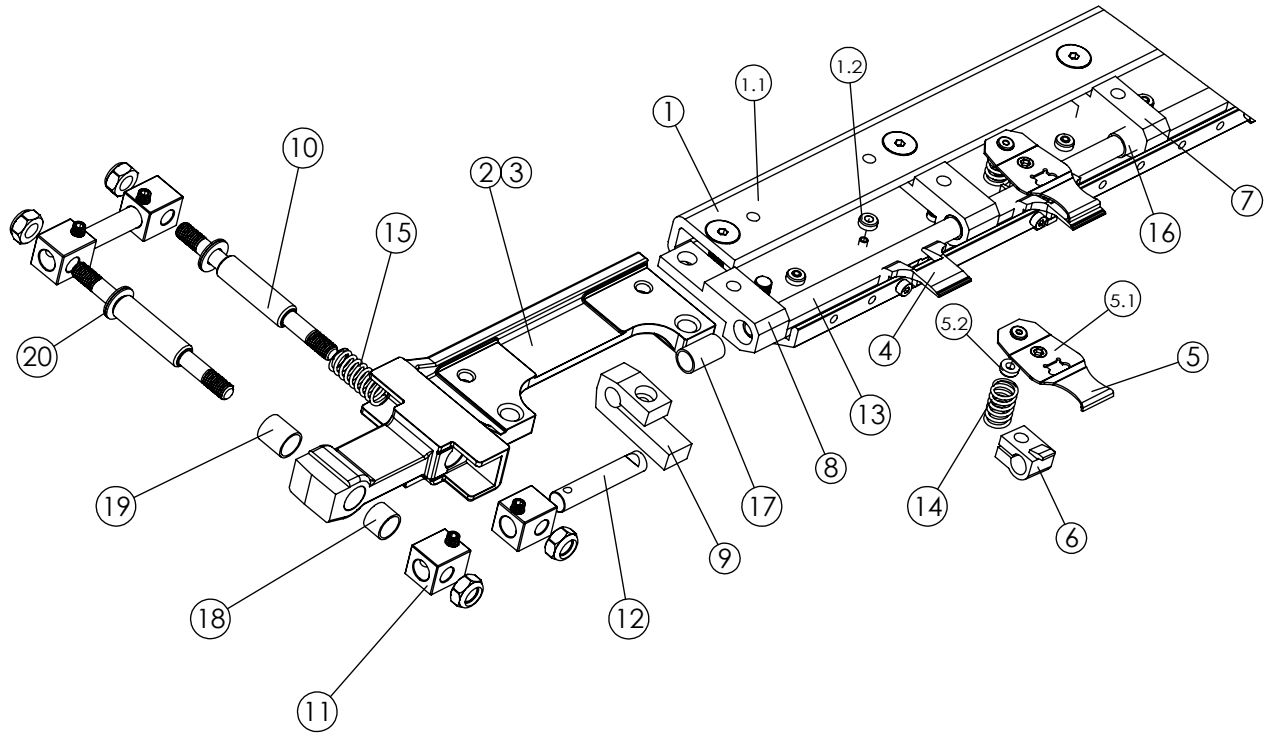
**Interchangeable with**  
**Bobst Part#**  
**BSA06550000IJ**



**Proudly Manufactured by:**



**CONWAY**  
**MACHINE,**  
**INC.**  
ISO 9001 Series Certified



**Conway 317 Gripper Bar will fit these Die Cutters:**

**BOBST SP 102 SE/E Series 1-32 & 34**

**Bobst Part# BSA0655000IJ**

ITEM NO.	QTY.	PART NUMBER	DESCRIPTION	OEM Part No.
	1	10-317-0-00-00	Gripper Bar Complete	BSA06550000IJ
1	1	10-317-0-01-01	Shell (Assembly)	BSA0655260800
1.1	1	10-317-0-01-02	-Shell	
1.2	18	10-317-0-15-03	-Pilot Button	
2	1	10-339-0-02-00	End Fitting O.S.	BSA06550000XO
3	1	10-339-0-03-00	End Fitting O.O.S.	BSA06550000XP
4	9	10-317-0-16-00	Stationary Gripper	BSA0655000500
5	9	10-317-0-15-01	Movable Gripper (Assembly)	BSA06550000EP
5.1	1	10-317-0-15-02	-Movable Gripper	
5.2	1	10-317-0-15-03	-Pilot Button	
6	9	10-317-0-24-00	Lifter	
7	6	10-317-0-31-00	Shaft Support Bushing	BSA06550000XR
8	4	10-317-0-29-00	Shaft Support Bearing	BSA06550000XS
9	2	10-317-0-25-00	Lever	BSA06550000XU
10	4	10-317-0-06-00	Cross Pin	
11	8	10-317-0-07-00	Mounting Block	BSA0655101300
12	4	10-317-0-14-00	Axle	BSA1109811002
13	1	10-317-0-27-00	Shaft	BSA0655100900
14	9	10-317-0-21-00	Spring	BSA1017101620
15	2	10-317-1-21-00	Spring	BSA1017102543
16	6	05-000-1-10-15	Glacier Bushing 10x15mm	BSA1111019100
17	4	05-000-1-10-20	Glacier Bushing 10x20mm	BSA1111027700
18	2	05-000-1-12-10	Glacier Bushing 10x12mm	BSA1111030100
19	2	05-000-1-12-15	Glacier Bushing 12x15mm	BSA1111018500
20	8	10-317-0-38-00	Washer	BSA1007208401

