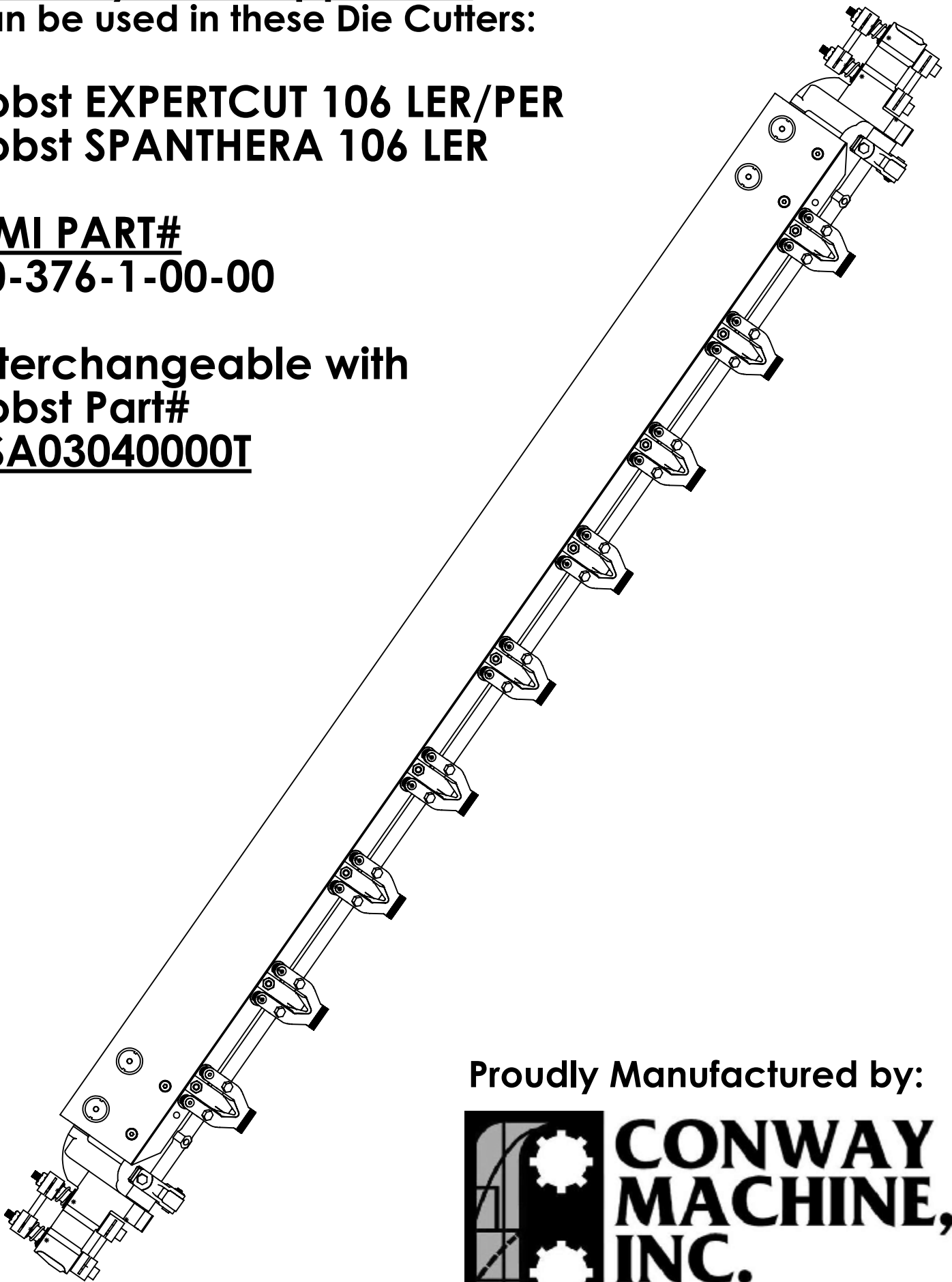


Conway 376 Gripper Bar
can be used in these Die Cutters:

Bobst EXPERTCUT 106 LER/PER
Bobst SPANTHERA 106 LER

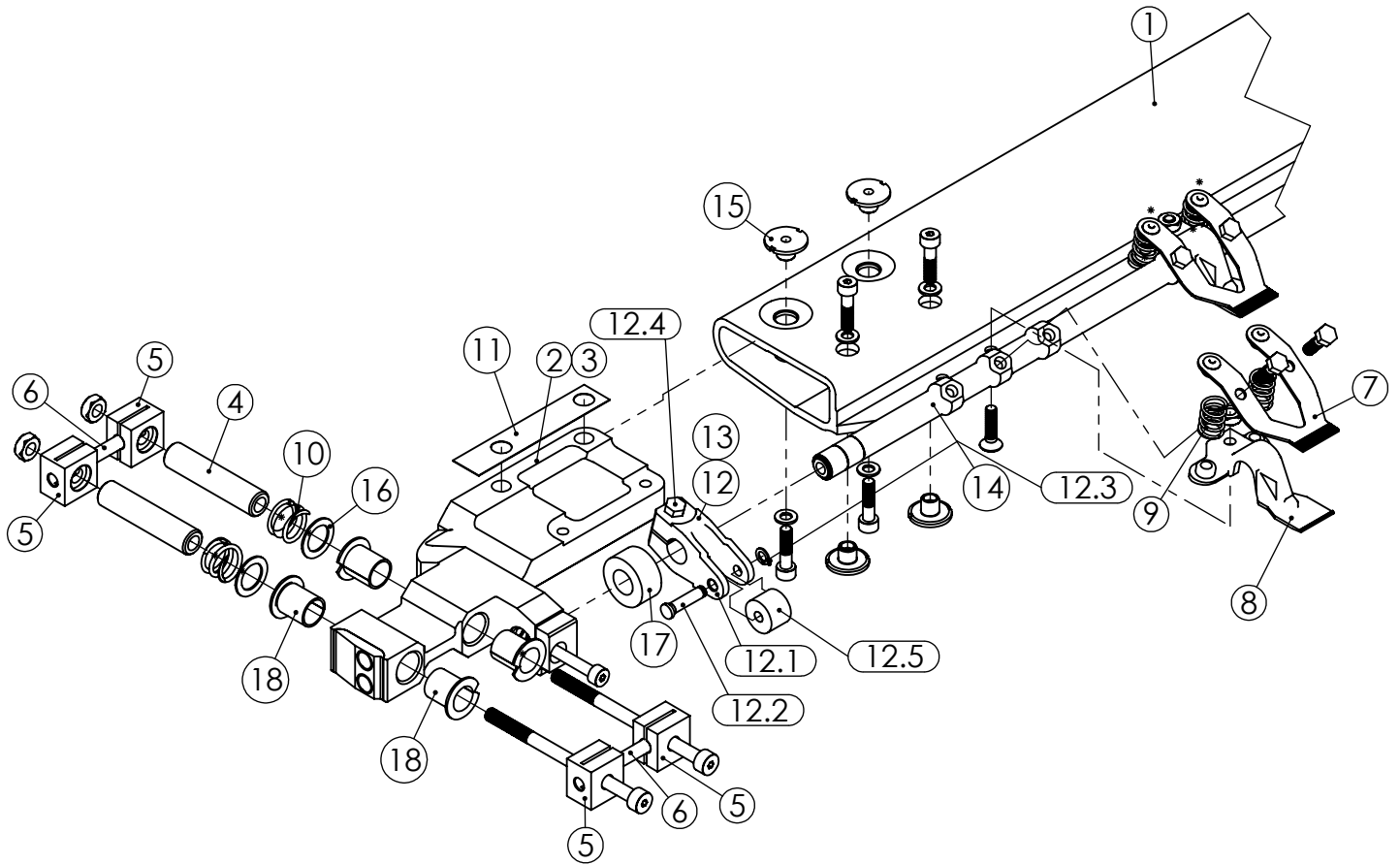
CMI PART#
10-376-1-00-00

Interchangeable with
Bobst Part#
BSA03040000T



Proudly Manufactured by:





Conway 376 Gripper Bar will fit these Die Cutters:

**Bobst EXPERTCUT 106 LER/PER
Bobst SPANTHERA 106 LER**

Bobst Part# BSA03040000T

ITEM NO.	QTY	PART NUMBER	DESCRIPTION	OEM Part No
	1	10-376-1-00-00	Bobst SP 106 LER Expertcut	BSA03040000T
1	1	10-376-0-01-00	Shell	-
2	1	10-376-1-02-01	End Fitting O.S. Assy.	
3	1	10-376-1-03-01	End Fitting O.O.S. Assy.	
4	4	10-376-0-06-00	Cross Pin	
5	8	10-376-0-07-00	Mounting Block	
6	4	10-376-0-14-00	Axle	
7	9	10-376-0-15-01	Movable Jaw Assy	BSA0304064600
8	9	10-376-0-16-00	Stationary Gripper	BSA0304064600
9	18	10-376-0-21-00	Spring	
10	4	10-376-1-21-00	Spring	
11	2	10-376-0-23-00	Shim	
12	1	10-371-0-25-01	O.S.Lever Assy	
12.1	1	10-371-0-25-02	Lever	
12.2	1	10-371-0-25-03	Pin	
12.3	1	04-000-1-67-02	External Retaining Ring	
12.4	1	04-000-1-49-22	Hex Head Cap Screw 5mm x 14	
12.5	1	05-000-1-66-01	Roller Bearing	
13	1	10-371-1-25-01	O.O.S.Lever Assy	
14	1	10-376-0-27-01	Shaft Assy	
15	8	10-371-0-42-00	Nut Insert	
16	4	04-000-1-40-11	Stainless Shim	
17	2	05-000-1-66-02	Roller Bearing	
18	5	05-000-1-14-17	Bushing	

