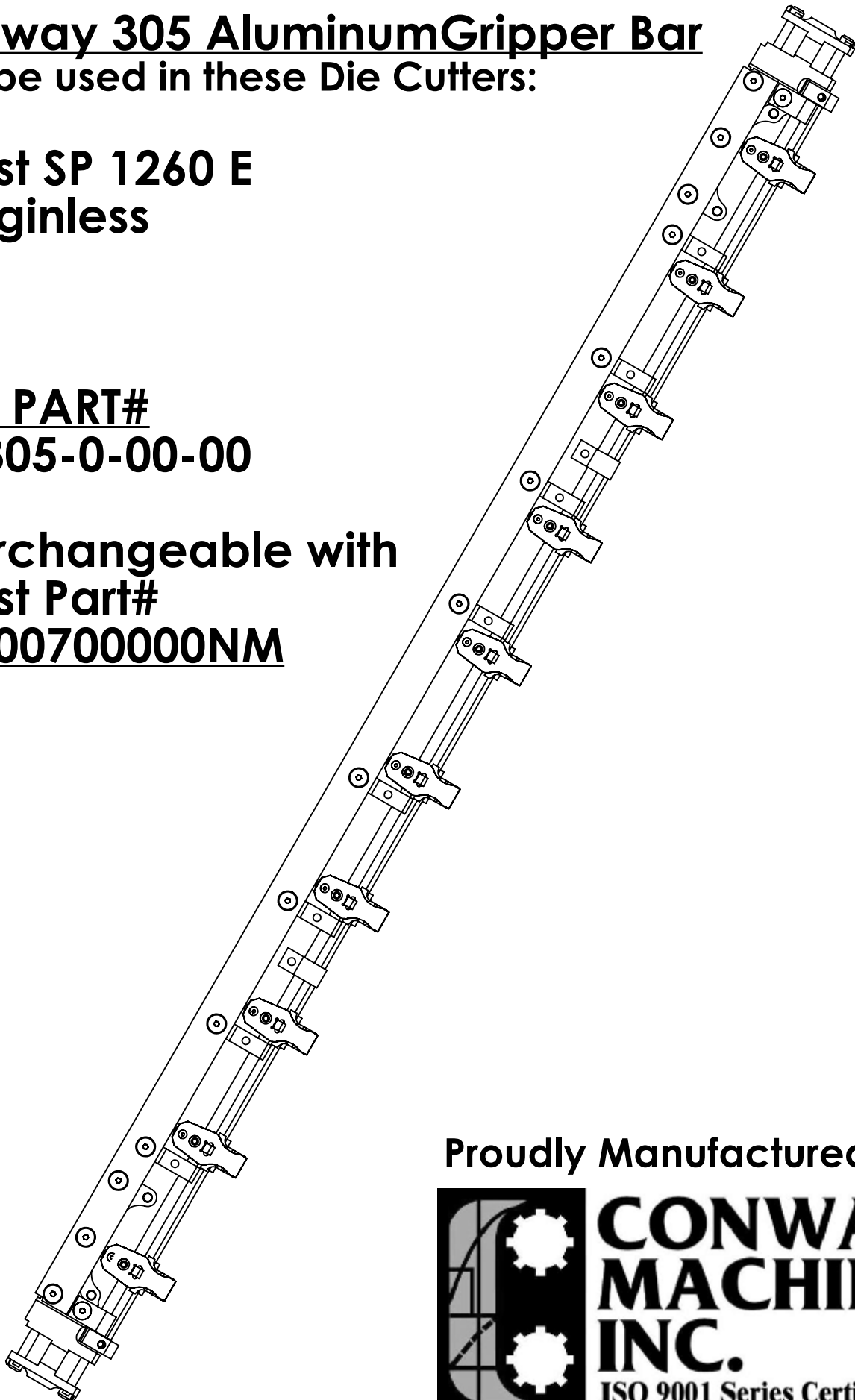


Conway 305 Aluminum Gripper Bar
can be used in these Die Cutters:

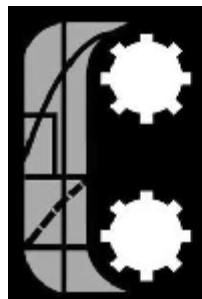
Bobst SP 1260 E
Marginless

CMI PART#
10-305-0-00-00

Interchangeable with
Bobst Part#
BSA00700000NM

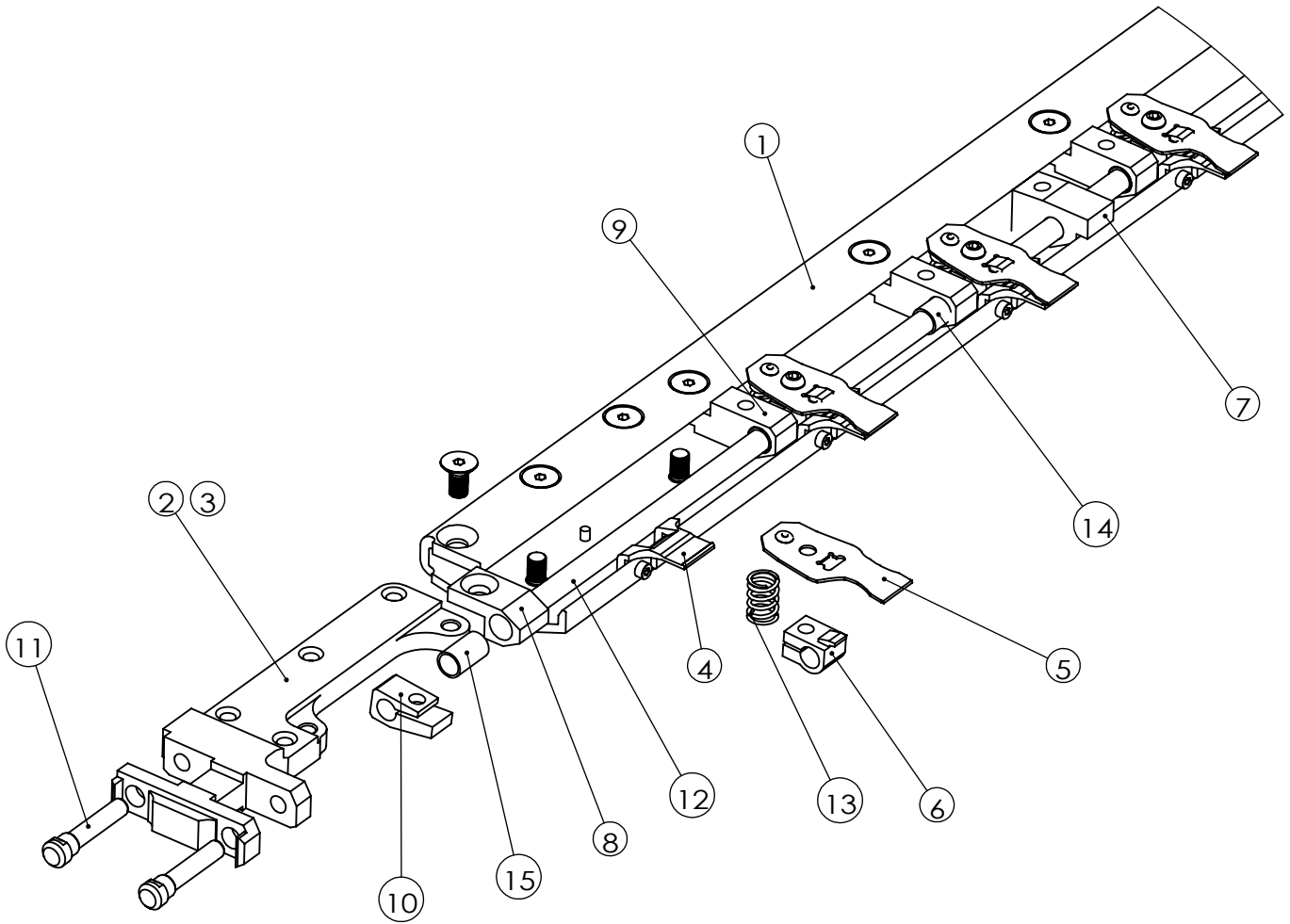


Proudly Manufactured by:



CONWAY
MACHINE,
INC.

ISO 9001 Series Certified



Conway 305 Gripper Bar will fit these Die Cutters:

**Bobst SP 1260 E
Marginless**

Bobst Part# BSA00700000NM

ITEM NO.	QTY.	PART NUMBER	DESCRIPTION	OEM Part No
		10-305-0-00-00	Complete Assembly	BSA00700000NM
1	1	10-305-0-01-01	Shell	
2	1	10-305-0-02-00	O.S End Fitting	
3	1	10-305-0-03-00	O.O.S End Fitting	
4	10	10-339-0-16-00	Stationary Jaw	BSA0655009200
5	10	10-338-0-15-01	Movable Jaw	
6	10	10-317-0-24-00	Lifter	BSA0655000800
7	2	10-305-0-32-00	Down Stop	
8	2	10-306-0-29-00	Shaft Support Bearing	
9	8	10-306-0-31-00	Shaft Support Bushing	
10	2	10-338-0-25-00	Lever	
11	4	10-307-0-14-00	Axle	BSA0470304700
12	1	10-307-0-27-00	Shaft	
13	10	10-307-0-21-00	Spring	BSA1017101811
14	8	05-000-1-10-15	Glacier Bushing 10x15mm	BSA1111019100
15	2	05-000-1-10-20	Glacier Bushing 10x20mm	BSA1111027700

