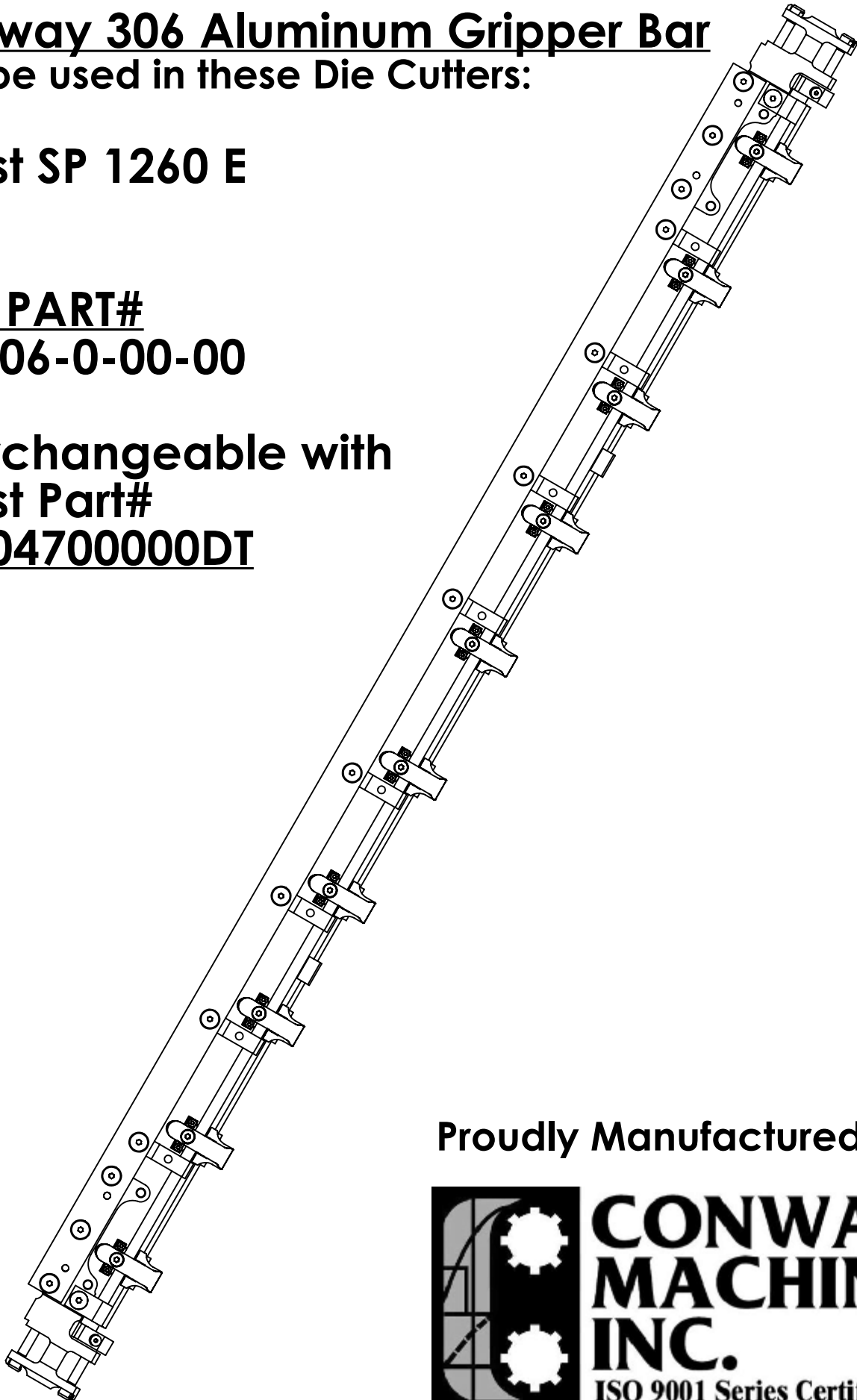


Conway 306 Aluminum Gripper Bar
can be used in these Die Cutters:

Bobst SP 1260 E

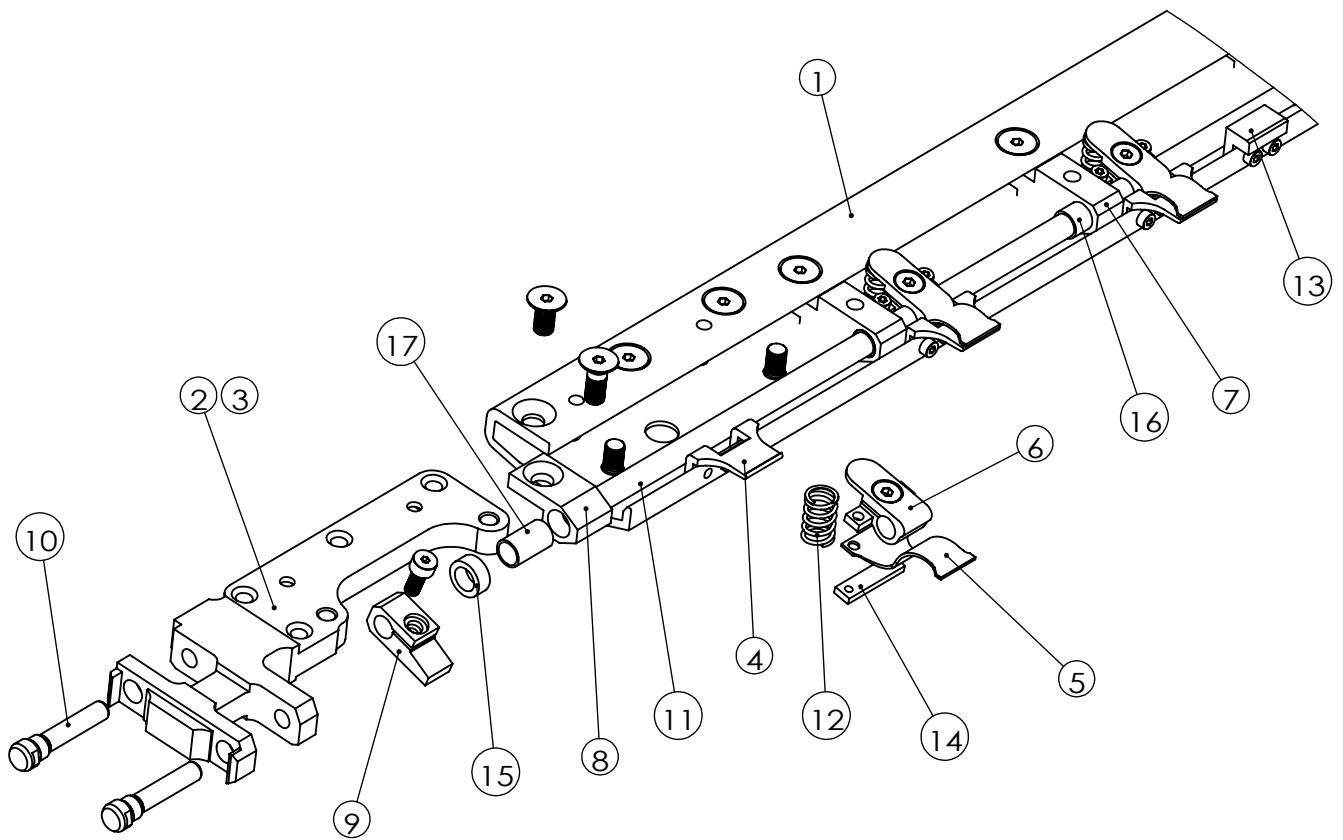
CMI PART#
10-306-0-00-00

Interchangeable with
Bobst Part#
BSA04700000DT



Proudly Manufactured by:





Conway 306 Aluminum Gripper Bar will fit these Die Cutters:

Bobst SP 1260 E

Bobst Part# BSA0470000DT

ITEM NO.	QTY.	PART NUMBER	DESCRIPTION	OEM Part No
		10-306-0-00-00	Complete Assembly	BSA04700000DT
1	1	10-306-0-01-00	Shell	
2	1	10-306-0-02-00	O.S End Fitting	
3	1	10-306-0-03-00	O.O.S End Fitting	
4	10	10-331-0-16-00	Gripper, Stationary	BSA0460076900
5	10	10-331-0-15-00	Gripper, Movable	BSA0470299900
6	10	10-306-0-24-00	Lifter	BSA00710000HR
7	8	10-306-0-31-00	Shaft Support Bushing	
8	2	10-306-0-29-00	Shaft Support Bearing	
9	2	10-306-0-25-00	Lever	BSA0695001500
10	4	10-307-0-14-00	Axle	
11	1	10-307-0-27-00	Shaft	
12	10	10-307-0-21-00	Spring	BSA1017101811
13	2	10-306-0-32-00	Down Stop	
14	10	10-331-0-17-00	Tightening Plate	
15	2	10-331-0-28-00	Shaft Spacer	BSA1008023300
16	8	05-000-1-10-15	Glacier Bushing 10x15mm	BSA1111019100
17	2	05-000-1-10-20	Glacier Bushing 10x20mm	BSA1111027700

