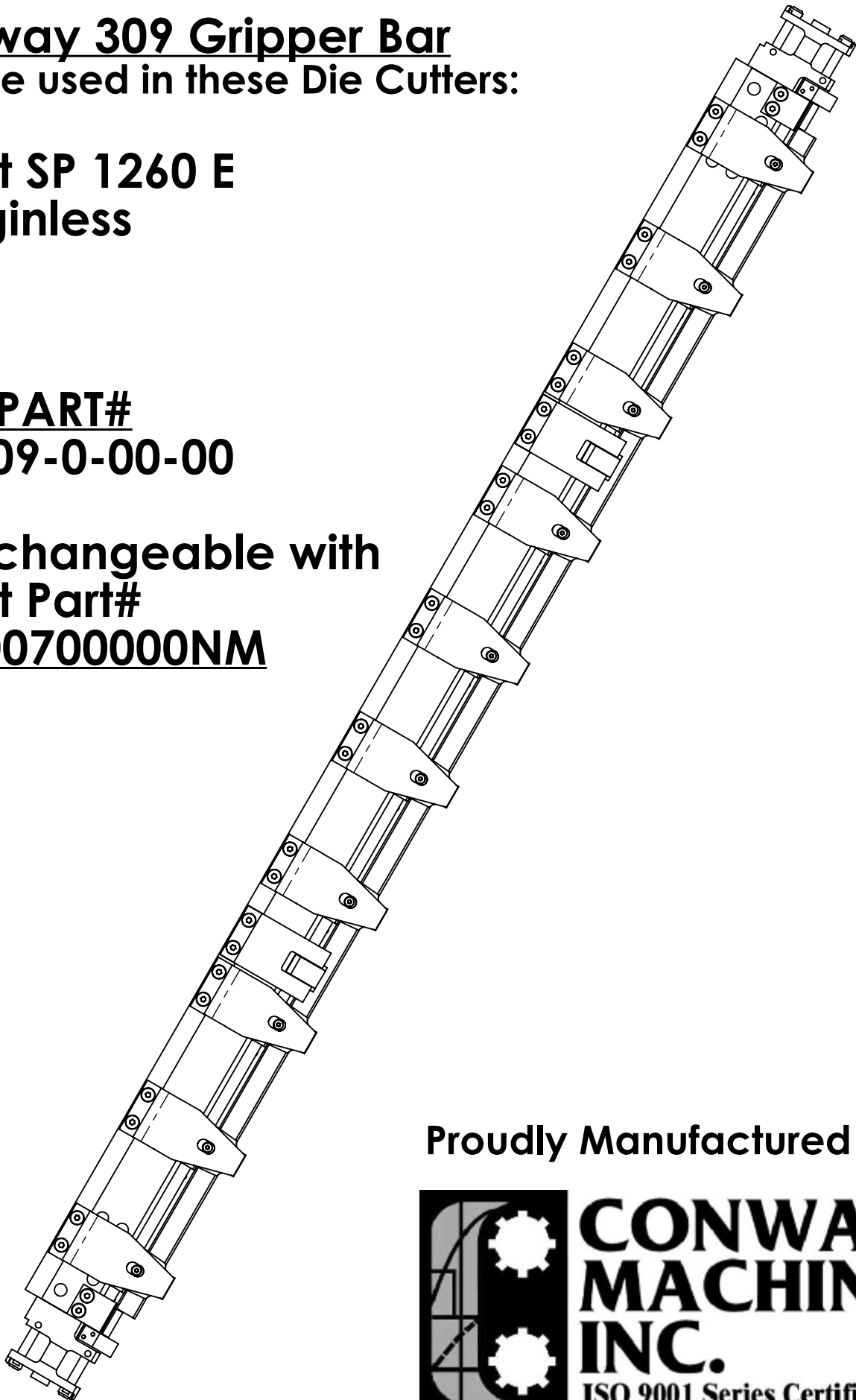


Conway 309 Gripper Bar
can be used in these Die Cutters:

Bobst SP 1260 E
Marginless

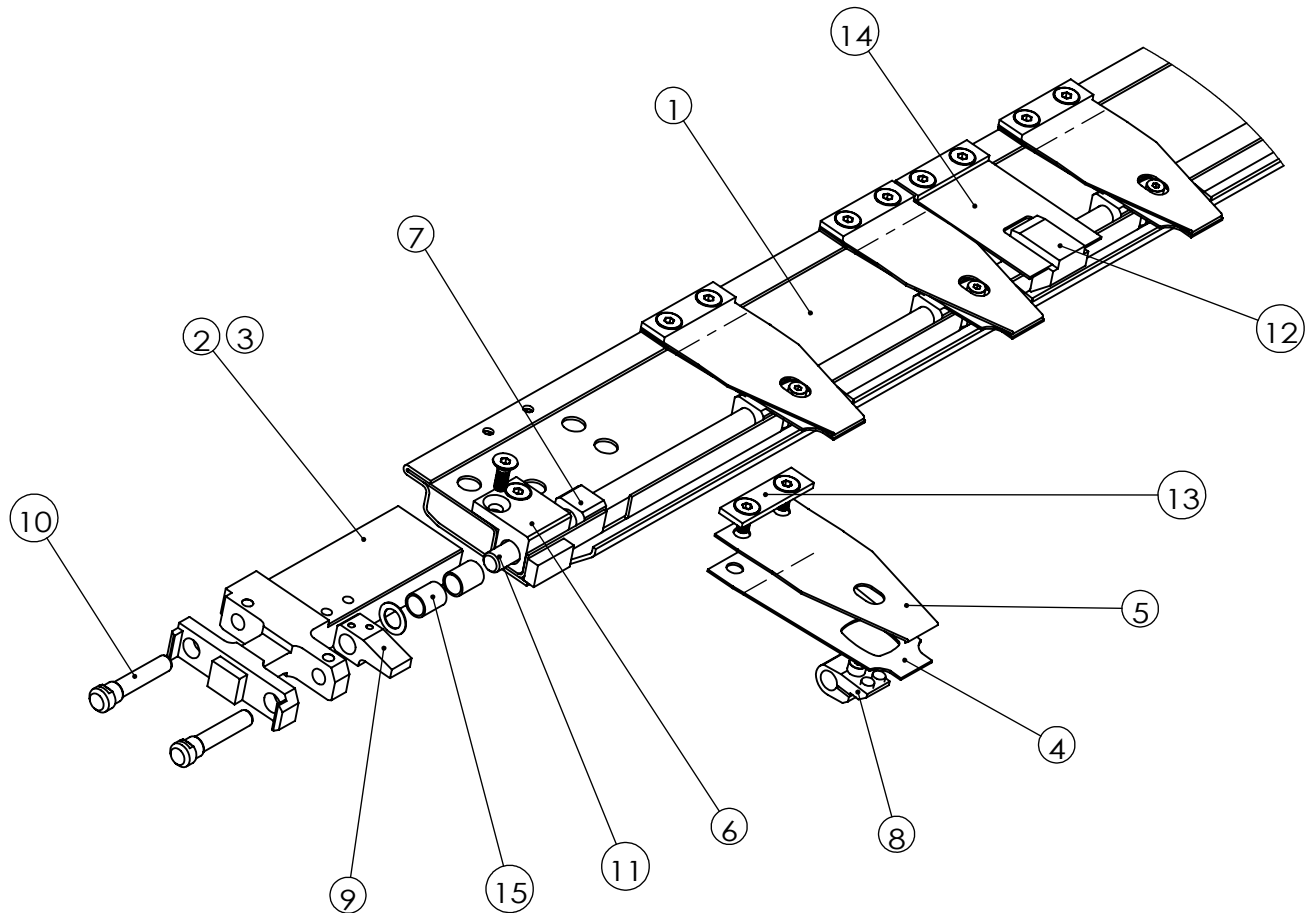
CMI PART#
10-309-0-00-00

Interchangeable with
Bobst Part#
BSA00700000NM



Proudly Manufactured by:





Conway 309 Gripper Bar will fit these Die Cutters:

**Bobst SP 1260 E
Marginless**

Bobst Part# BSA00700000NM

ITEM NO.	QTY.	PART NUMBER	DESCRIPTION	OEM Part No
		10-309-0-00-00	Complete Assembly	BSA00700000NM
1	1	10-309-0-01-01	Shell	
2	1	10-309-0-01-04	Left Chain End	
3	1	10-309-0-01-05	Right Chain End	
4	10	10-309-0-16-00	Stationary Gripper	
5	10	10-309-0-15-00	Movable Jaw	
6	2	10-309-0-29-00	Shaft Support Bearing	
7	10	10-309-0-31-00	Shaft Support Bushing	
8	10	10-309-0-24-01	Lifter (Assembly)	
9	2	10-309-0-25-00	Lever	
10	4	10-307-0-14-00	Axle	BSA0470304700
11	1	10-307-0-27-00	Shaft	
12	2	10-309-0-32-00	Down Stop	
13	12	10-309-0-17-00	Tightening Plate	BSA0387016600
14	2	10-309-0-20-00	Retainer Plate	
15	4	05-000-1-10-15	Glacier Bushing 10x15mm	BSA1111019100

