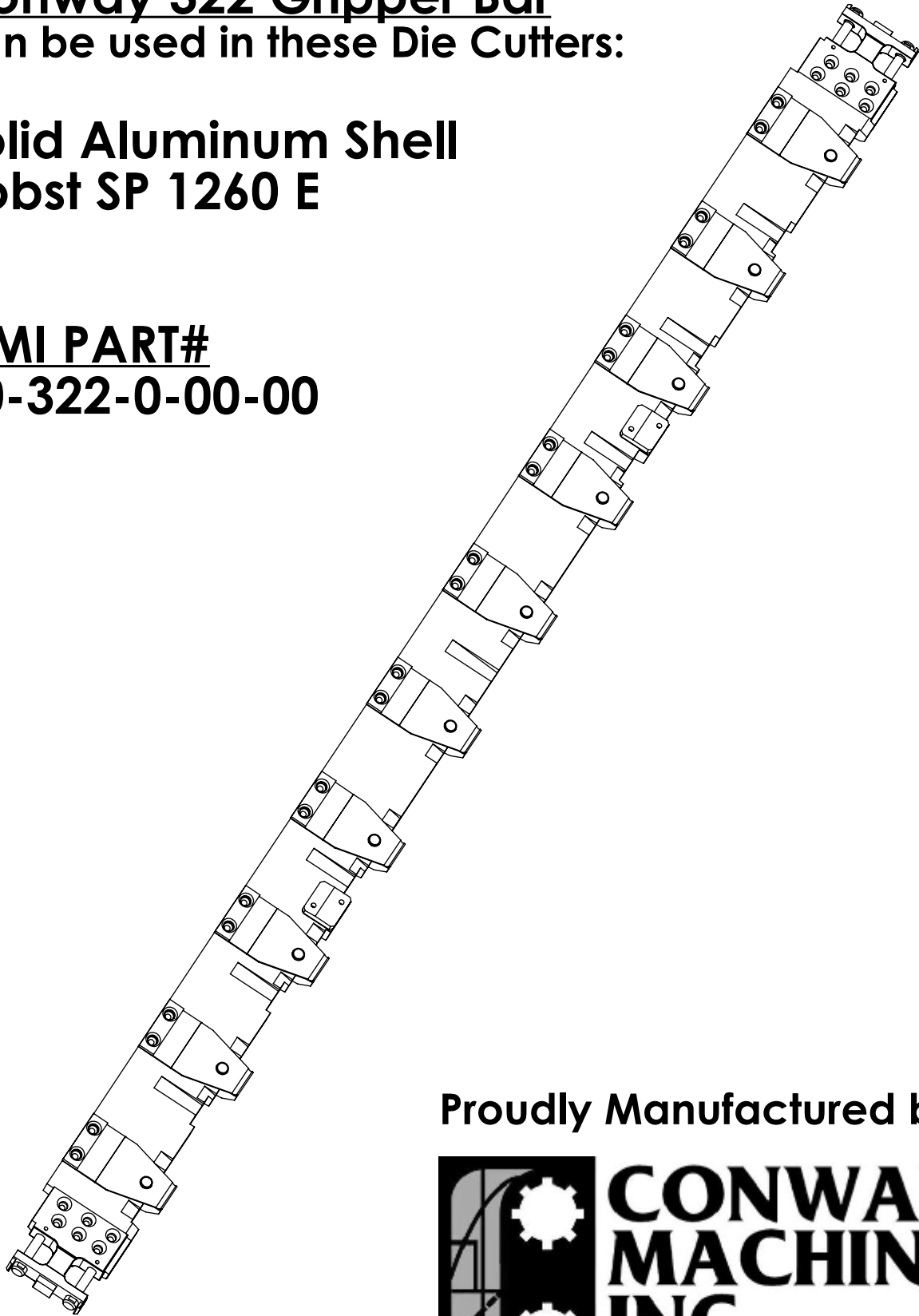


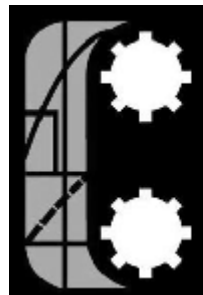
Conway 322 Gripper Bar
can be used in these Die Cutters:

Solid Aluminum Shell
Bobst SP 1260 E

CMI PART#
10-322-0-00-00

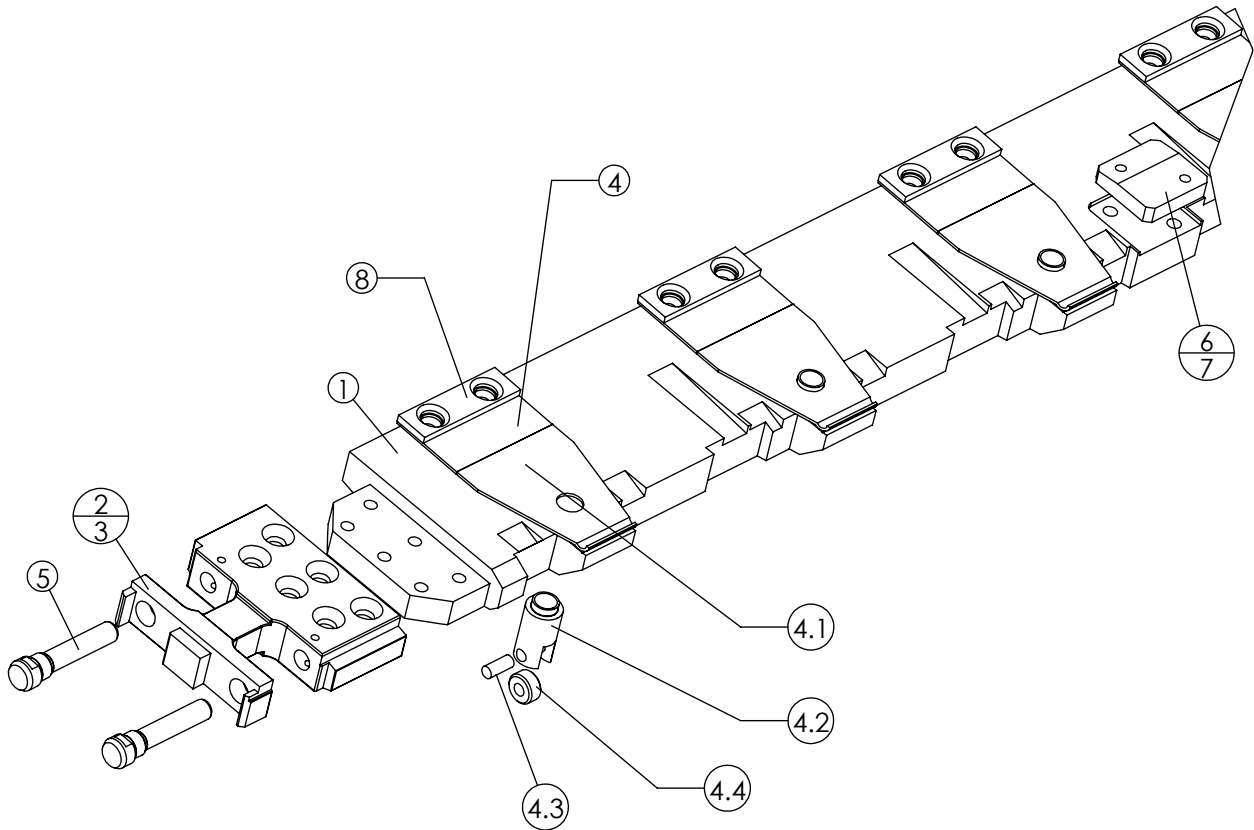


Proudly Manufactured by:



**CONWAY
MACHINE,
INC.**

ISO 9001 Series Certified



Conway 322 Gripper Bar will fit these Die Cutters:

**Bobst SP 1260 E
Solid Aluminum Shell**

Item No.	Qty	CMI Part No.	Description	OEM Part No
	1	10-322-0-00-00	Gripper Bar Complete	
1	1	10-322-0-01-00	Shell	
2	1	10-322-0-02-00	End Fitting O.S.	BSA0460006400
3	1	10-322-0-03-00	End Fitting O.O.S.	BSA0460007200
4	10	10-314-0-15-01	Movable Gripper (Assembly)	
4.1	1	10-314-0-15-02	-Movable Gripper	
4.2	1	10-314-0-15-03	-Push Stud	
4.3	1	10-314-0-15-04	-Pin	
4.4	1	10-314-0-15-05	-Roller	
5	4	10-307-0-14-00	Axle	BSA0470304700
6	1	10-322-0-32-00	Down Stop O.S.	BSA0470030400
7	1	10-322-0-33-00	Down Stop O.O.S.	BSA0470030600
8	10	10-309-0-17-00	Tightening Plate	BSA0387016600

