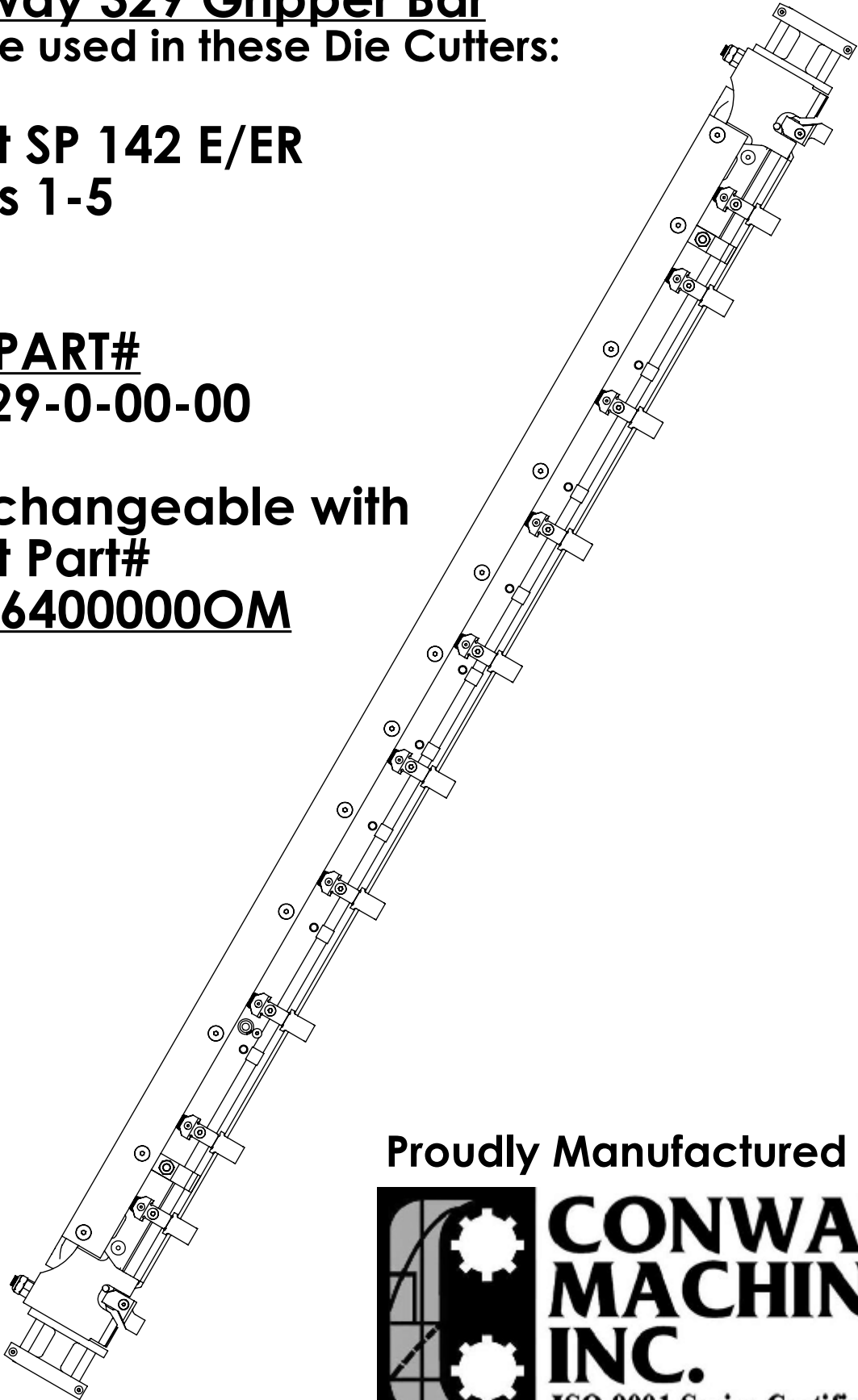


**Conway 329 Gripper Bar**  
can be used in these Die Cutters:

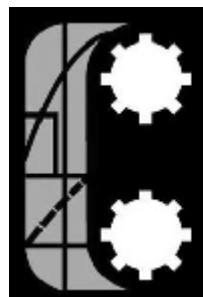
**Bobst SP 142 E/ER**  
**Series 1-5**

**CMI PART#**  
**10-329-0-00-00**

**Interchangeable with**  
**Bobst Part#**  
**BSA06400000OM**

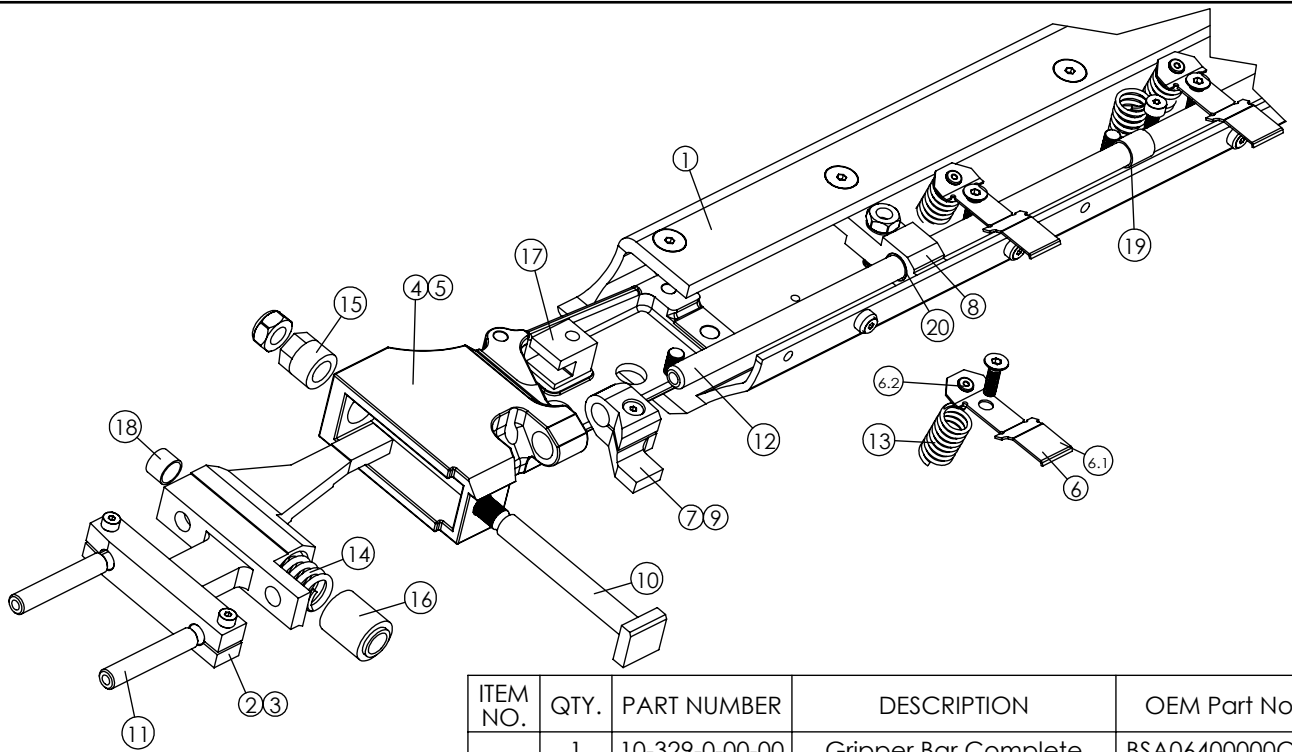


**Proudly Manufactured by:**



**CONWAY**  
**MACHINE,**  
**INC.**

**ISO 9001 Series Certified**



**Conway 329 Gripper Bar  
will fit these Die Cutters:**

**Bobst SP 142 E/ER  
Series 1-5**

**Bobst Part#  
BSA06400000M**

ITEM NO.	QTY.	PART NUMBER	DESCRIPTION	OEM Part No.
	1	10-329-0-00-00	Gripper Bar Complete	BSA06400000M
1	1	10-329-0-01-00	Shell	BSA0640454600
2	1	10-329-0-02-00	End Fitting O.S.	BSA0640021400
3	1	10-329-0-03-00	End Fitting O.O.S.	BSA0640021300
4	1	10-329-0-04-00	End Fitting Holder O.S.	
5	1	10-329-0-05-00	End Fitting Holder O.O.S.	
6	10	10-310-0-15-01	Movable Gripper	BSA05800000MK
6.1	1	10-310-0-15-02	-Movable Gripper	
6.2	1	10-310-0-15-03	-Pilot Button	
7	1	10-329-0-25-00	Lever O.S.	BSA0640021001
8	2	10-329-0-29-00	Shaft Support Bearing	
9	1	10-329-0-26-00	Lever O.O.S.	BSA0640021002
10	2	10-329-0-08-00	Mounting Pin	
11	4	10-319-0-14-00	Axle	BSA1109801002
12	1	10-329-0-27-00	Shaft	
13	11	10-310-0-21-00	Spring	BSA1017102046
14	2	10-329-0-21-00	Spring	BSA1017103401
15	2	10-329-0-09-00	Mounting Nut	
16	2	10-329-0-10-00	Mounting Bushing	BSA0640367800
17	2	10-329-0-13-00	Guide	
18	2	05-000-1-12-10	Bushing	BSA1111030100
19	8	05-000-1-12-15	Bushing	BSA1111018500
20	2	05-000-1-12-20	Bushing	
22	12	04-000-1-47-22	Flat Head Socket Cap Screw 8mm x 25	
23	10	04-000-1-52-07	Socket Head Cap Screw	
24	10	04-000-1-40-05	Jaw Bolt Washer	
25	10	04-000-1-47-13	Flat Head Socket Cap Screw	
26	10	04-000-1-61-01	Rivets 5/32 x 1/4	
27	3	04-000-1-52-16	Socket Head Cap Screw	

