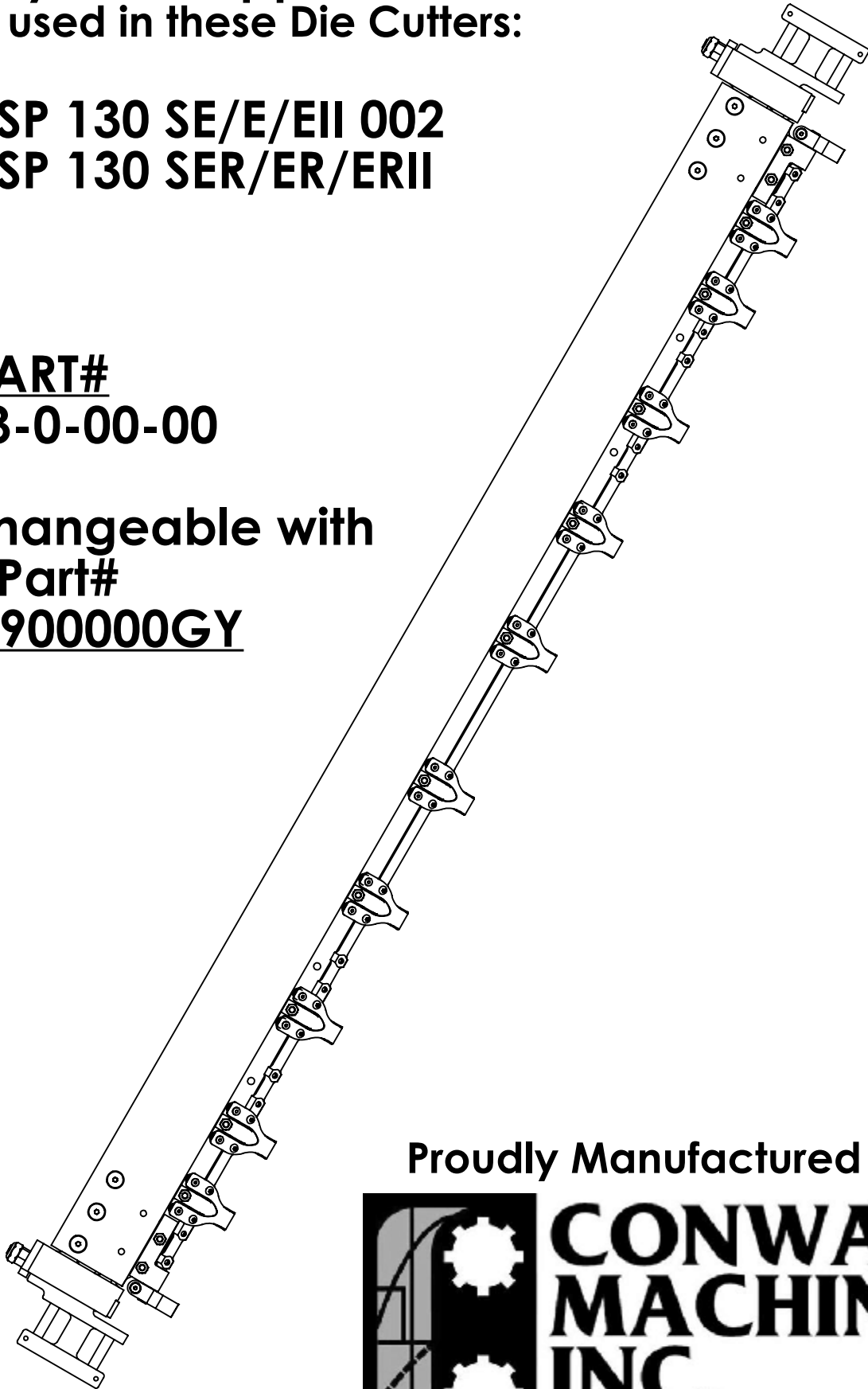


**Conway 333 Gripper Bar**  
can be used in these Die Cutters:

**Bobst SP 130 SE/E/EII 002**  
**Bobst SP 130 SER/ER/ERII**

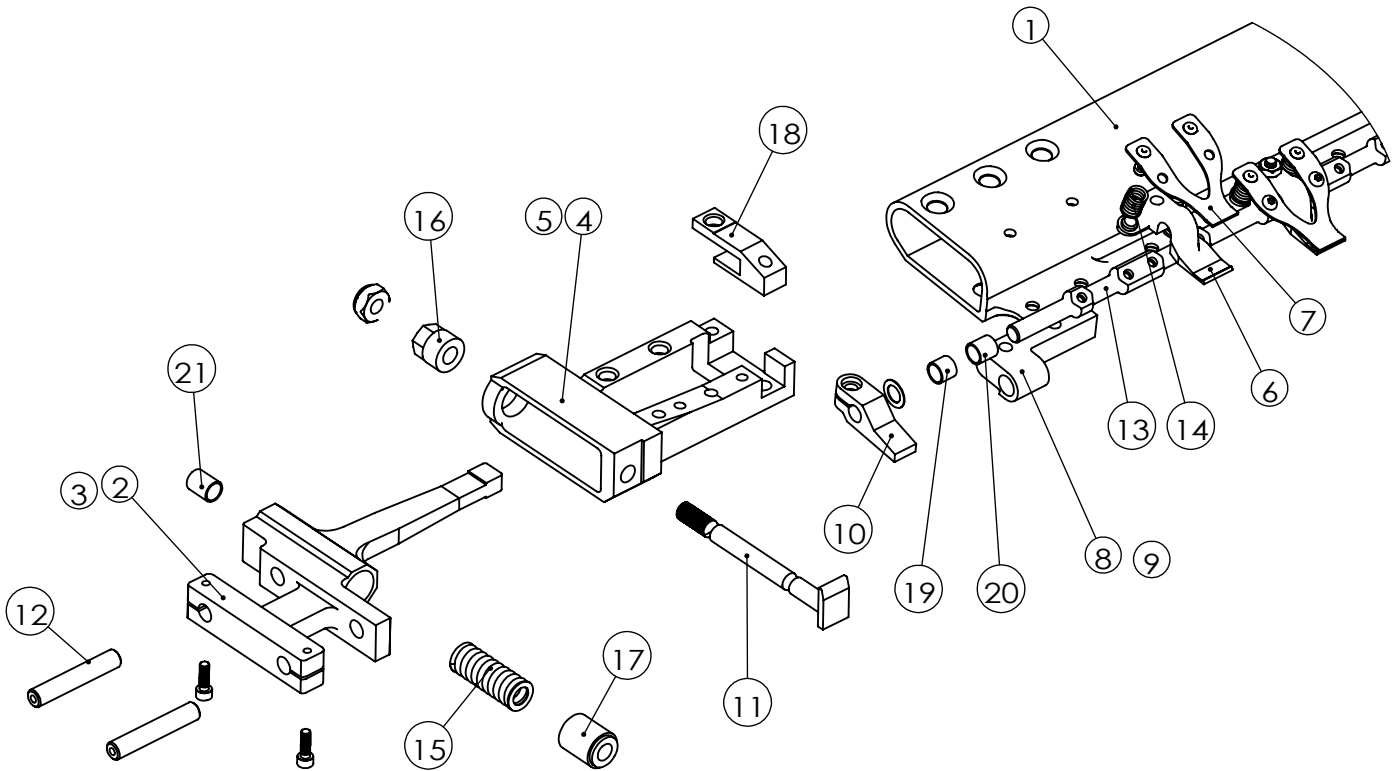
**CMI PART#**  
**10-333-0-00-00**

**Interchangeable with**  
**Bobst Part#**  
**BSA06900000GY**



**Proudly Manufactured by:**





**Conway 333 Gripper Bar will fit these Die Cutters:**

**Bobst SP 130 SE/E/EII 002  
Bobst SP 130 SER/ER/ERII**

**Bobst Part# BSA0690000GY**

ITEM NO.	QTY.	PART NUMBER	DESCRIPTION	OEM Part No
		10-333-0-00-00	Complete Assembly	BSA06900000GY
1	1	10-333-0-01-00	Shell	BSA06900000OZ
2	1	10-333-0-02-00	O.S. End Fitting	BSA0690014000 BSA0690018100
3	1	10-333-0-03-00	O.O.S End Fitting	BSA0690014200 BSA0690018200
4	1	10-333-0-04-00	End Fitting O.S. Holder	BSA0690014900
5	1	10-333-0-05-00	End Fitting O.O.S Holder	BSA0690015000
6	10	10-332-0-16-00	Stationary Gripper	BSA0695000100
7	10	10-332-0-15-01	Movable Jaw Assy	BSA06950000BI
8	1	10-333-0-29-00	O.S. Shaft Support	BSA0690219900
9	1	10-333-0-30-00	O.O.S. Shaft Support	BSA0690219900
10	2	10-332-0-25-00	Lever	BSA0695001500
11	2	10-333-0-08-00	Mounting Pin	BSA0690101500
12	4	10-319-0-14-00	Axle Pin	BSA1109801002
13	1	10-333-0-27-00	Shaft	
14	20	10-332-0-21-00	Spring	BSA1017101535
15	2	10-319-0-21-00	Spring	BSA1017103401
16	2	10-319-0-09-00	Mounting Nut	BSA0640367200
17	2	10-319-0-10-00	Mounting Bushing	BSA0640367800
18	2	10-333-0-13-00	Guide	BSA0690016800
19	2	05-000-1-10-10	Glacier Bushing 10x10mm	BSA11111510002
20	2	05-000-1-10-12	Glacier Bushing 10x12mm	BSA1111110001
21	2	05-000-1-10-15	Glacier Bushing 10x15mm	BSA11111019100

