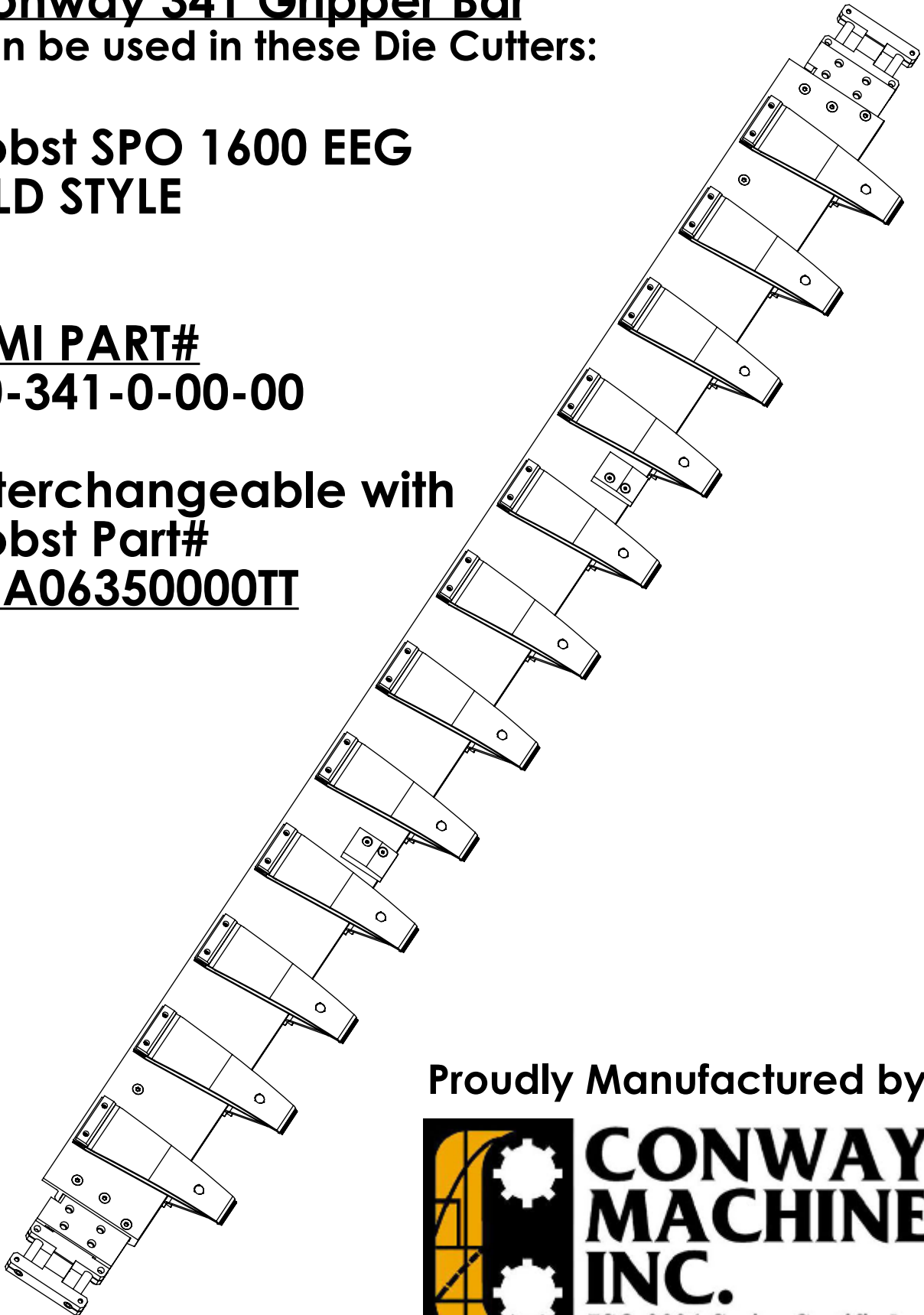


**Conway 341 Gripper Bar**  
can be used in these Die Cutters:

**Bobst SPO 1600 EEG  
OLD STYLE**

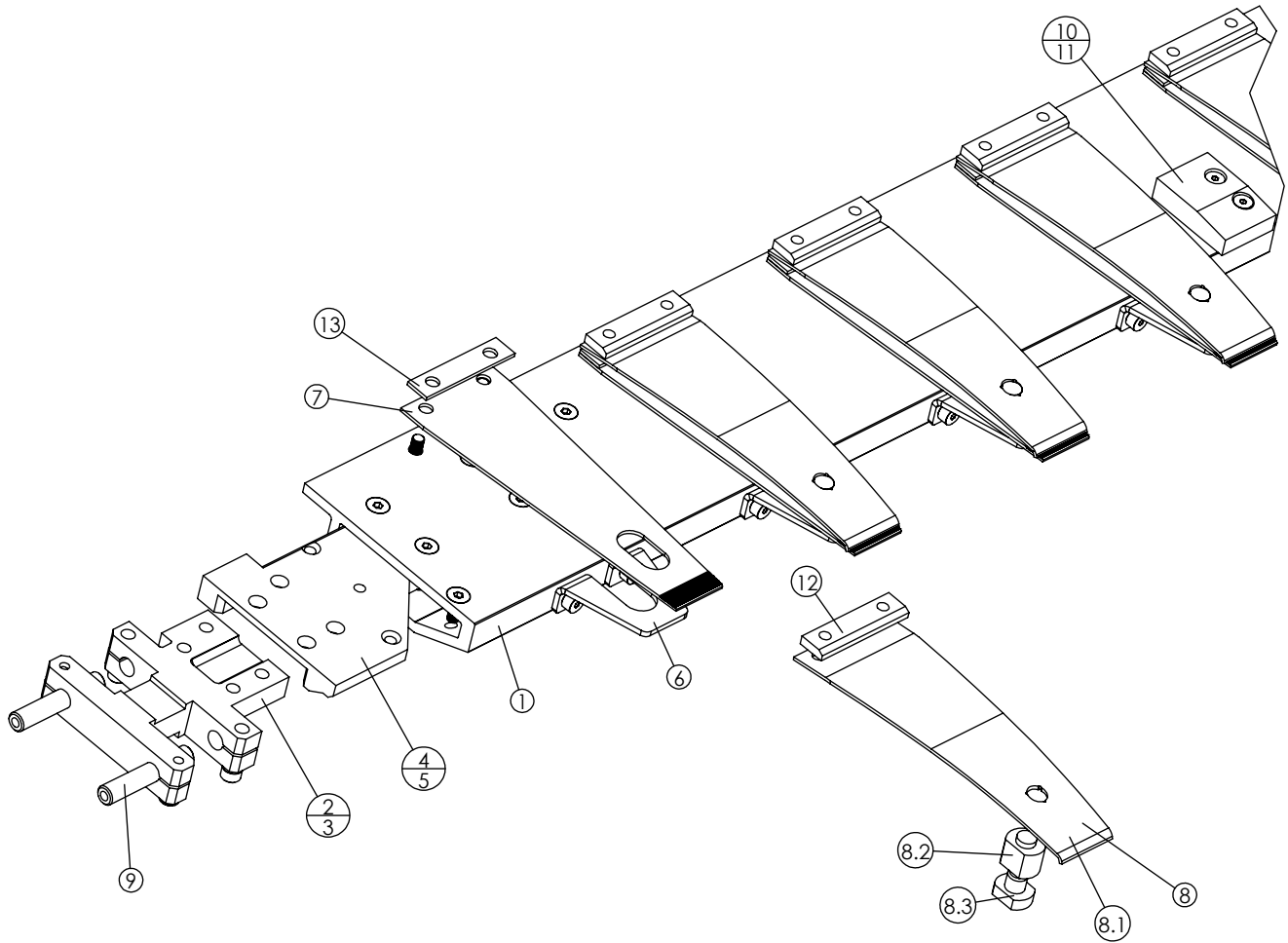
**CMI PART#**  
**10-341-0-00-00**

**Interchangeable with  
Bobst Part#  
BSA0635000TT**



**Proudly Manufactured by:**





**Conway 341 Gripper Bar will fit these Die Cutters:**

**Bobst SPO 1600 EEG  
OLD STYLE**

**Bobst Part#  
BSA0635000TT**

Item No.	Qty	Part No.	Description	OEM Part No
	1	10-341-0-00-00	Gripper Bar Complete	BSA06350000TT
1	1	10-341-0-01-00	Shell	BSA0635127900
2	1	10-341-0-02-00	End Fitting O.S.	
3	1	10-341-0-03-00	End Fitting O.O.S.	
4	1	10-341-0-04-00	End Fitting Holder, O.S.	BSA0635009100
5	1	10-341-0-05-00	End Fitting Holder, O.O.S.	BSA0635009200
6	12	10-341-0-19-00	Gripper Support	BSA0645160900
7	12	10-341-0-16-00	Stationary Gripper	BSA1019019900
8	12	10-341-0-15-01	Movable Gripper (Assembly)	BSA06450000IR
8.1	1	10-341-0-15-02	-Movable Gripper	
8.2	1	10-341-0-15-04	-Push Stud	
8.3	1	10-341-0-15-05	-Push Pad	
9	4	10-341-0-14-00	Axle	
10	1	10-341-0-32-00	Down Stop O.S.	BSA0635127500
11	1	10-341-0-33-00	Down Stop O.O.S.	BSA0635227500
12	12	10-341-0-17-00	Tightening Plate	BSA0645204400
13	12	10-341-0-23-00	Shim	BSA0645156700

