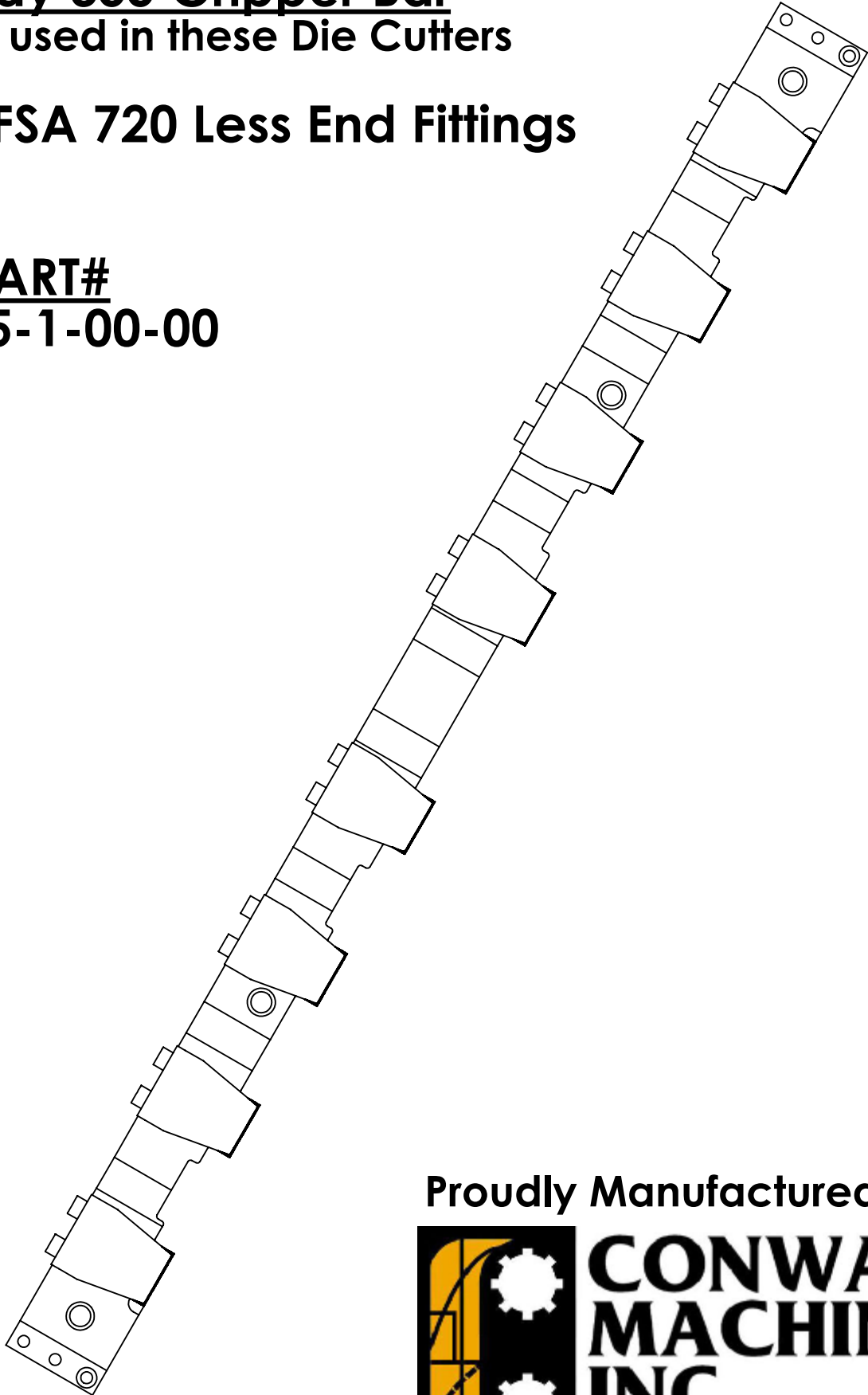


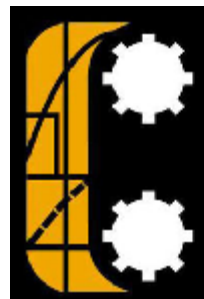
**Conway 355 Gripper Bar**  
can be used in these Die Cutters

**Gietz FSA 720 Less End Fittings**

**CMI PART#**  
**10-355-1-00-00**

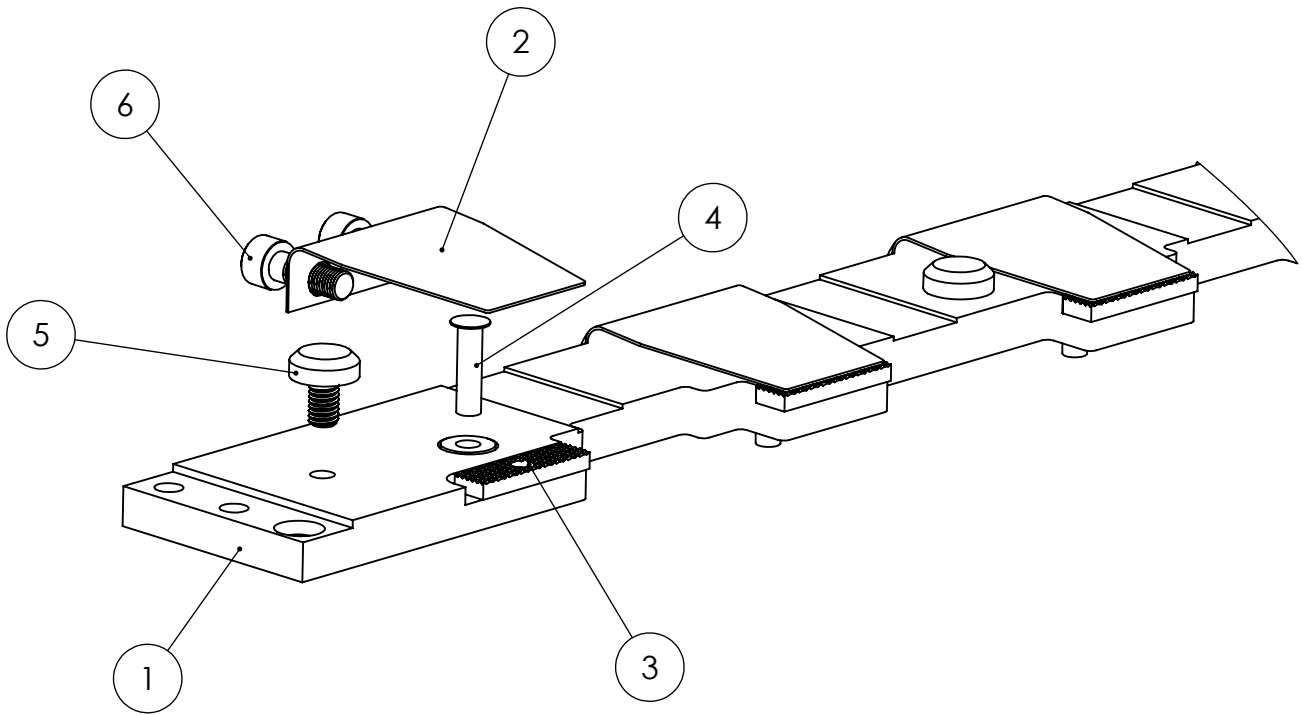


**Proudly Manufactured by:**



**CONWAY  
MACHINE,  
INC.**

**ISO 9001 Series Certified**



**Conway 355 Gripper Bar will fit these Die Cutters:**

**Gietz FSA 720 Less End Fittings**

ITEM NO.	QTY.	PART NUMBER	DESCRIPTION	OEM Part No
		10-355-1-00-00	Complete Assembly	
1	1	10-355-0-01-01	Shell Assembly	
2	8	10-355-0-15-00	Movable Gripper	
3	8	10-355-0-16-00	Stationary Gripper	
4	8	10-355-0-24-00	Lifter	
5	4	10-355-0-32-00	Down Stock	
6	16	04-000-1-52-44	6 x 18mm Socket Head Cap Screw	

