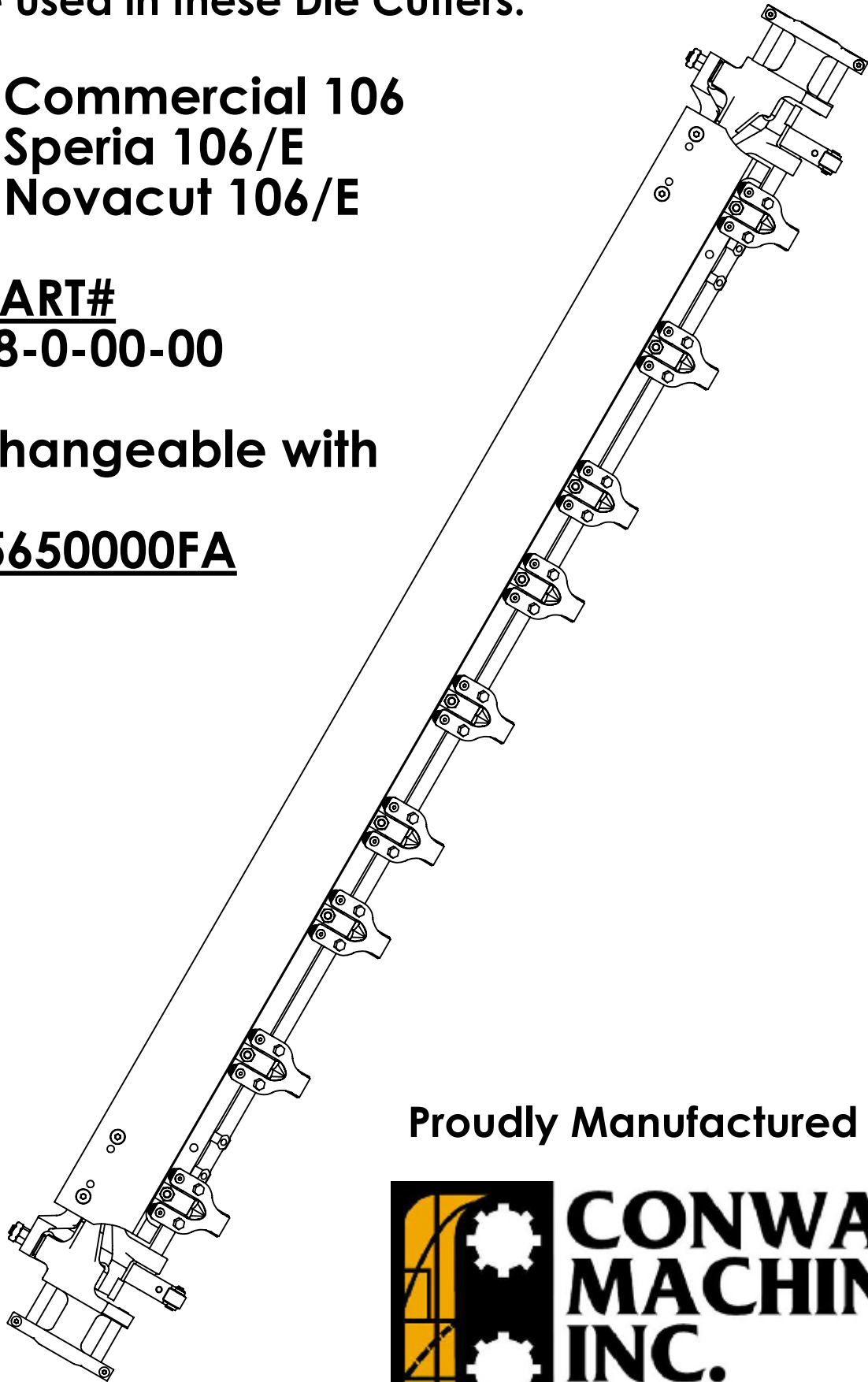


Conway 378 Gripper Bar
can be used in these Die Cutters:

Bobst Commercial 106
Bobst Speria 106/E
Bobst Novacut 106/E

CMI PART#
10-378-0-00-00

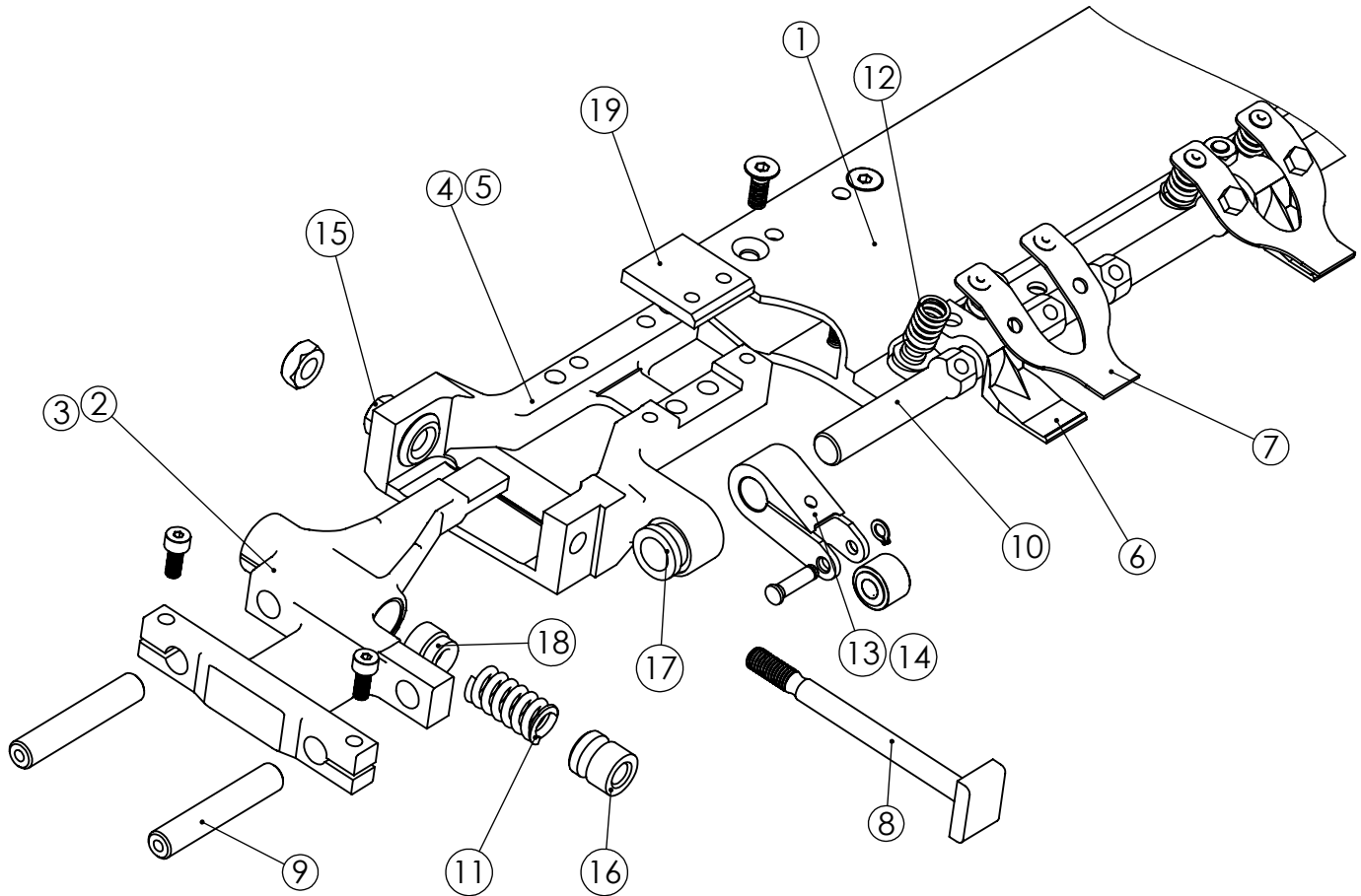
Interchangeable with
Part #
BSA05650000FA



Proudly Manufactured by:



**CONWAY
MACHINE,
INC.**
ISO 9001 Series Certified



Conway 378 Gripper Bar will fit these Die Cutters:

**Bobst Commercial 106
Bobst Speria 106/E
Bobst Novacut 106/E**

Interchangeable with Part # BSA0565000FA

ITEM NO.	QTY.	PART NUMBER	DESCRIPTION	OEM Part No
		10-378-0-00-00	Complete Assembly	BSA05650000FA
1	1	10-378-0-01-00	Shell	BSA02600000EK
2	1	10-326-0-02-00	O.S End Fitting	BSA0260056500
3	1	10-326-0-03-00	O.O.S End Fitting	BSA0260056600
4	1	10-326-0-04-00	O.S Holder	BSA0260050400
5	1	10-326-0-05-00	O.O.S Holder	BSA0260050500
6	9	10-326-0-16-00	Stationary Jaw	BSA0692001000
7	9	10-326-0-15-01	Movable Jaw (Assembly)	BSA06920000BB
8	2	10-326-0-08-00	Cross Pin	BSA0260103000
9	4	10-319-0-14-00	Axle Pin	BSA1109801002
10	1	10-378-0-27-00	Shaft	BSA0260203500
11	2	10-326-1-21-00	Spring	BSA1017102814
12	18	10-326-0-21-00	Spring	BSA1017101535
13	1	10-378-0-25-01	O.S Lever Assembly	BSA0565100200
14	1	10-378-0-26-01	O.O.S Lever Assembly	BSA0565100200
15	2	10-326-0-09-00	Mounting Nut	BSA0260050600
16	2	10-326-0-10-00	Mounting Bushing	BSA0260102400
17	2	10-326-0-29-00	Shaft Support Bushing	BSA0260144400
18	2	10-326-1-10-00	Mounting Bushing (Inside)	BSA0260144300
19	2	10-326-0-20-00	Plate Retainer	

